

A&G MANUFACTURING CO., INC.

YOUR SOURCE FOR QUALITY, SERVICE AND EFFICIENT BUYING.

PHONE 978-587-2859

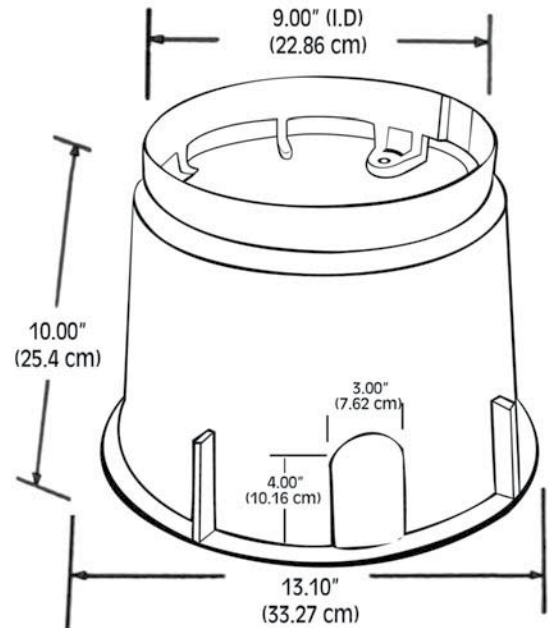
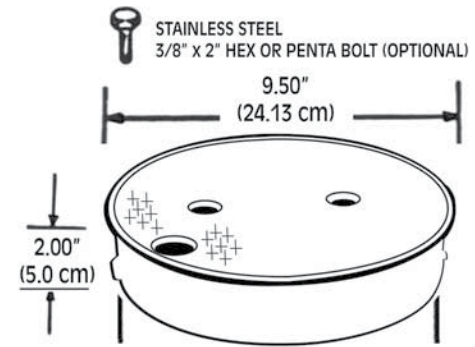
WWW.AGMFG.NET

1-888-367-8227

SERIES 910L (10" ROUND) GREEN

■ 90 PER PALLET

■ BODY & COVER	910L-1G2G	3.84 LBS	1.74 KG
■ BODY	910L-1G	2.59 LBS	1.17 KG
■ COVER	910L-2G	1.25 LBS	.57 KG



SPECIAL FEATURES

- TWIST LOCK COVER
- STRONGER LOAD STRENGTH
- UV INHIBITORS TO PREVENT DISCOLORATION & CRACKING
- MOLDED IN NYLON NUT FOR BOLT
- HEAVY DUTY CONSTRUCTION

OTHER STOCK COLORS AVAILABLE

- TAN
- BLACK
- GRAY
- LAVENDER

STANDARD MARKINGS AVAILABLE: IRRIGATION CONTROL • CATV • WATER • SEWER • TELEPHONE • ELECTRIC • BLANK (no cover marking) • RECLAIMED WATER