

A&G MANUFACTURING CO., INC.

YOUR SOURCE FOR QUALITY, SERVICE AND EFFICIENT BUYING.

PHONE 978-587-2859

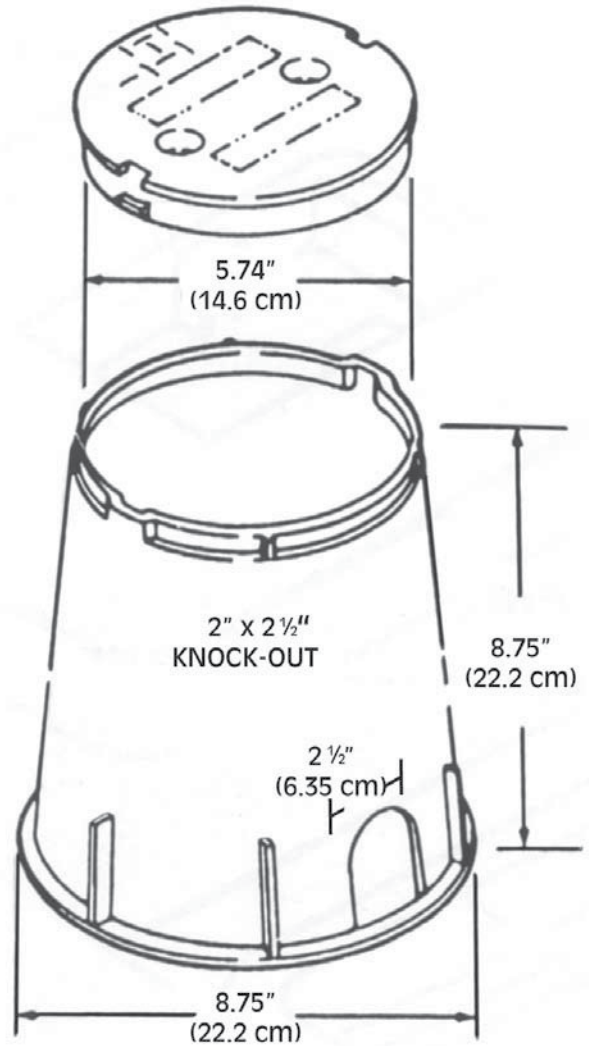
WWW.AGMFG.NET

1-888-367-8227

SERIES 610 (6" ROUND) GREEN

- 256 PER PALLET
- BODY & COVER
- BODY
- COVER

610-1G2G	1.32 LBS.	.60 KG
610-1G	1.07 LBS.	.49 KG
610-2G	.25 LBS.	.11 KG



SPECIAL FEATURES

- TWIST LOCK COVER
- STRONGER LOAD STRENGTH
- UV INHIBITORS TO PREVENT DISCOLORATION & CRACKING
- NO PORT AVAILABLE

OTHER STOCK COLORS AVAILABLE

- TAN
- BLACK
- LAVENDER

STANDARD MARKINGS AVAILABLE: BLANK (no cover marking) • ELECTRIC • CATV