

# A&G MANUFACTURING CO., INC.

YOUR SOURCE FOR QUALITY, SERVICE AND EFFICIENT BUYING.

PHONE 978-587-2859

WWW.AGMFG.NET

1-888-367-8227

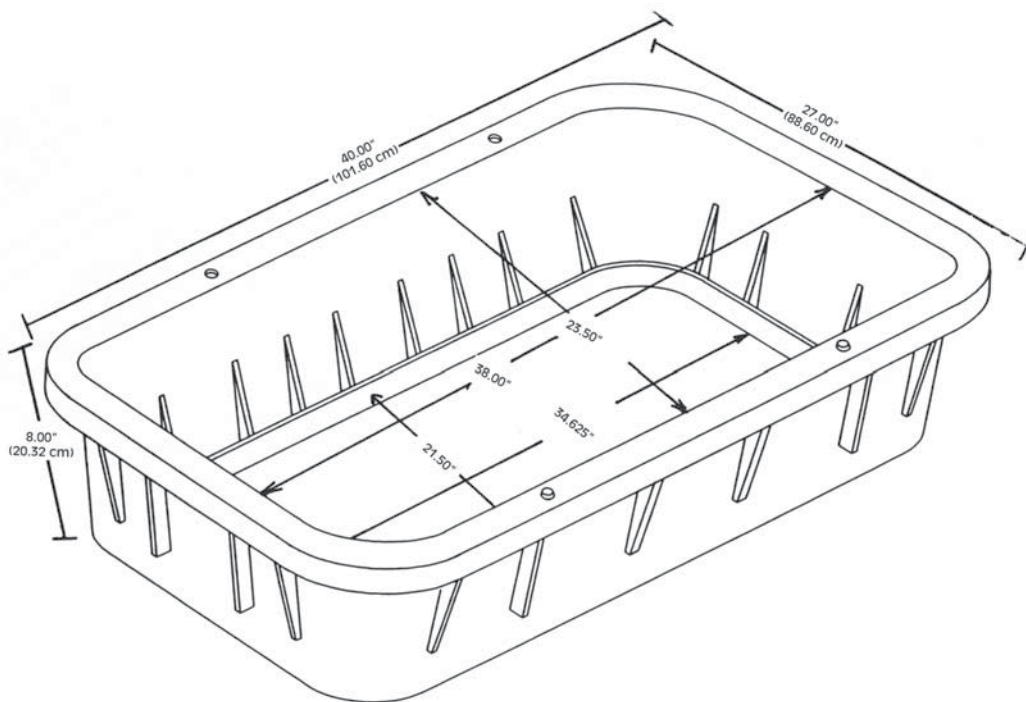
## SERIES 1730-XG (8" HIGH) EXTENSION GREEN

■ 22 PER PALLET

■ BOTTOM EXTENSION

1730 XG

12.00 LBS. 5.44 KG



### SPECIAL FEATURES

■ HEAVY DUTY CONSTRUCTION

■ 6 LOCATION HOLES & PINS FOR EASY ASSEMBLY

■ PARTS WILL INTERLOCK TOP TO TOP OR BOTTOM TO BOTTOM TO INCREASE BOX DEPTH