

A&G MANUFACTURING CO., INC.

YOUR SOURCE FOR QUALITY, SERVICE AND EFFICIENT BUYING.

PHONE 978-587-2859

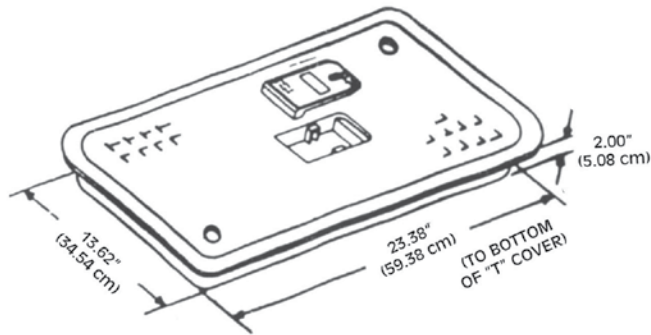
WWW.AGMFG.NET

1-888-367-8227

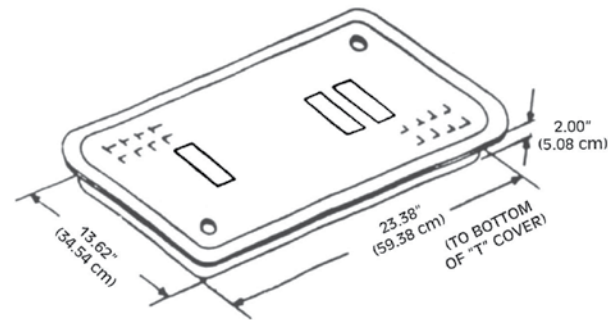
SERIES 1324 (15" HIGH) UTILITY BOX GREEN

■ 16 PER PALLET

| | | | |
|--------------------------------|------------|------------|----------|
| ■ BODY & COVER | 1324-15P2P | 27.00 LBS. | 12.25 KG |
| ■ BODY WITH METER READER COVER | 1324-15P3P | 27.80 LBS. | 12.61 KG |
| ■ BODY | 1324-15P | 20.00 LBS. | 9.07 KG |
| ■ COVER | 1324-2P | 7.00 LBS. | 3.18 KG |
| ■ COVER WITH METER READER DOOR | 1324-3P | 7.80 LBS. | 3.54 KG |



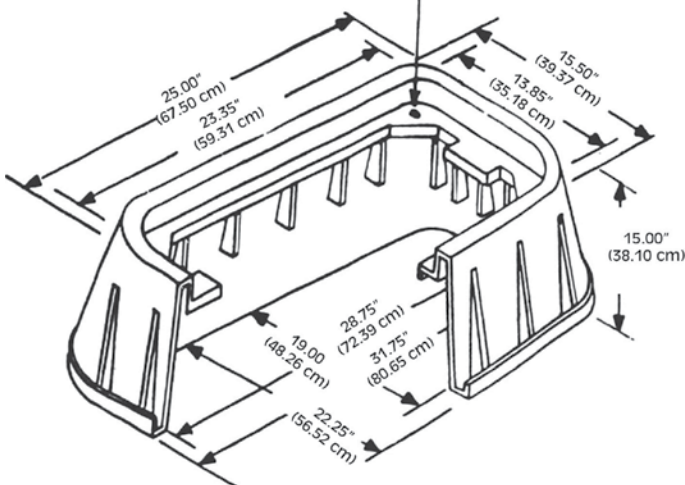
1324-3P



1324-2P

BOLTS - 3/8" x 2 1/2" STAINLESS STEEL

DIAGONAL BOLT DOWN PATTERN



1324-15P

SPECIAL FEATURES

- UV INHIBITOR ADDED TO PREVENT DISCOLORING & CRACKING
- HEAVY DUTY COMMERCIAL CONSTRUCTION
- CAST IRON OR POLY METER READER COVER
- DIAGONAL BOLT DOWN PATTERN

OTHER STOCK COLORS AVAILABLE

- BLACK
- GRAY
- TAN
- LAVENDER

978-587-2859

WWW.AGMFG.NET

1-888-367-8227