

A&G MANUFACTURING CO., INC.

YOUR SOURCE FOR QUALITY, SERVICE AND EFFICIENT BUYING.

PHONE 978-587-2859

WWW.AGMFG.NET

1-888-367-8227

90° LIQUIDTIGHT CONNECTORS GRAY - NYLON

FEATURES

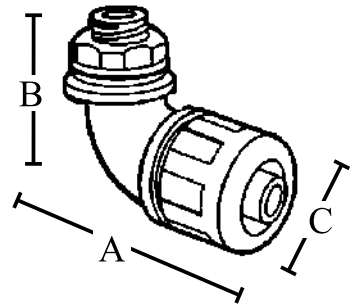
- LIQUIDTIGHT, RAIN TIGHT, OIL TIGHT
- FOR FLEXIBLE NON-METALLIC LIQUIDTIGHT TUBING
- EASY ASSEMBLY AVOIDS HAVING TO REMOVE THE COMPRESSION NUT
- 90° ANGLE
- GRAY

APPLICATION

- FOR USE IN WET AND DRY LOCATIONS

STANDARD MATERIAL

- 6/6 NYLON



PART #	UPC#	CONDUIT SIZE	UNIT CARTON	SHIP CASE	WEIGHT CASE	INCHES		
						A	B	C
NM90 - 38	80063	3/8" 1/2" KO	10	100	9	2.56	2.14	1.09
NM90 - 50	80064	1/2"	10	100	8	2.56	2.14	1.09
NM90 - 75	80065	3/4"	10	100	11	2.84	2.38	1.30
NM90 - 100	80059	1"	5	50	8	2.25	2.81	1.50
NM90 - 125	80060	1-1/4"	2	20	8	3.96	3.36	2.40
NM90 - 150	80061	1-1/2"	2	20	10	4.13	3.45	2.68
NM90 - 200	80062	2"	1	10	9	4.68	4.04	3.31

978-587-2859

WWW.AGMFG.NET

1-888-367-8227