

A&G MANUFACTURING CO., INC.

YOUR SOURCE FOR QUALITY, SERVICE AND EFFICIENT BUYING.

PHONE 978-587-2859

WWW.AGMFG.NET

1-888-367-8227

90° LIQUIDTIGHT CONNECTORS WITH INSULATED THROAT - MALLEABLE IRON

FEATURES

- LIQUIDTIGHT, RAIN TIGHT, OIL TIGHT
- SUITABLE FOR WET LOCATION USE
- TAPERED THREADED MALE HUB NPT
- INSULATED THROAT PROTECTS CONDUCTORS FROM ABRASION DAMAGE
- COMPACT SLIM DIAMETER WITH SMALL TURNING RADIUS
- ZINC ELECTRO PLATED FOR EXCELLENT DURABILITY



APPLICATION

- TO SECURE, GROUND AND SEAL LIQUIDTIGHT CONDUIT TO A BOX OR ENCLOSURE
- UL LISTED LIQUIDTIGHT FLEXIBLE METAL CONDUIT FITTINGS ARE SUITABLE FOR USE IN THE FOLLOWING HAZARDOUS LOCATIONS UNDER: NEC 501-4(b), 502-4(a), (2)503-3(a) CLASS 1 DIV.2, CLASS II DIV. 1 AND 2, CLASS III DIV. 1 AND 2 AND ARE SUITABLE FOR GROUNDING IN SIZES 3/8" THROUGH 1-1/2" UNDER NEC 351-1



STANDARD MATERIAL

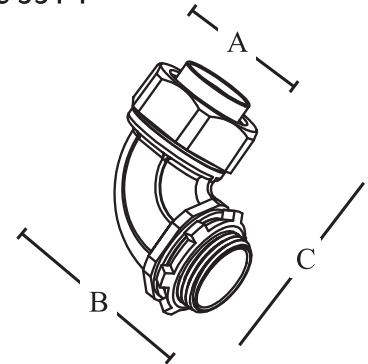
- MALLEABLE IRON
- STEEL LOCKNUT

STANDARD FINISH

- ZINC PLATED

APPLICABLE THIRD PARTY STANDARDS

- UL STANDARD: UL 514B
- FED. SPEC: W-F-406E, W-F-406D
- NEMA: FB 1-2014



PART #	UPC#	CONDUIT SIZE	UNIT CARTON	SHIP CASE	WEIGHT CASE	INCHES		
						A	B	C
M90 - 38	80042	3/8" 1/2" KO	10	100	26	1.18	1.96	2.47
M90 - 50	80044	1/2"	10	100	28	1.36	2.10	2.54
M90 - 75	80045	3/4"	10	100	41	1.61	2.45	2.82
M90 - 100	80035	1"	5	50	31	1.89	2.83	3.08
M90 - 125	80036	1-1/4"	2	20	20	2.39	3.15	3.53
M90 - 150	80037	1-1/2"	2	20	25	2.62	3.50	4.17
M90 - 200	80038	2"	1	10	19	3.24	4.02	4.69
M90 - 250	80039	2-1/2"	---	1	5	3.89	6.23	6.74
M90 - 300	80040	3"	---	1	7	4.74	6.91	7.52
M90 - 350	80041	3-1/2"	---	1	9	5.31	7.57	7.93
M90 - 400	80043	4"	---	1	14	5.82	8.72	8.72

978-587-2859

WWW.AGMFG.NET

1-888-367-8227