

A&G MANUFACTURING CO., INC.

YOUR SOURCE FOR QUALITY, SERVICE AND EFFICIENT BUYING.

PHONE 978-587-2859

WWW.AGMFG.NET

1-888-367-8227

45° LIQUIDTIGHT CONNECTORS WITH INSULATED THROAT - MALLEABLE IRON

FEATURES

- LIQUIDTIGHT, RAIN TIGHT, OIL TIGHT
- SUITABLE FOR WET LOCATIONS
- TAPERED THREADED MALE HUB NPT
- INSULATED THROAT PROTECTS CONDUCTORS FROM ABRASION DAMAGE
- COMPACT SLIM DIAMETER WITH SMALL TURNING RADIUS
- ZINC ELECTRO PLATED FOR EXCELLENT DURABILITY



APPLICATION

- TO SECURE, GROUND AND SEAL LIQUIDTIGHT CONDUIT TO A BOX OR ENCLOSURE
- UL LISTED LIQUIDTIGHT FLEXIBLE METAL CONDUIT FITTINGS ARE SUITABLE FOR USE IN THE FOLLOWING HAZARDOUS LOCATIONS UNDER: NEC 501-4(b), 502-4(a), (2)503-3(a) CLASS 1 DIV.2, CLASS II DIV. 1 AND 2, CLASS III DIV. 1 AND 2 AND ARE SUITABLE FOR GROUNDING IN SIZES 3/8" THROUGH 1-1/2" UNDER NEC 351-1



STANDARD MATERIAL

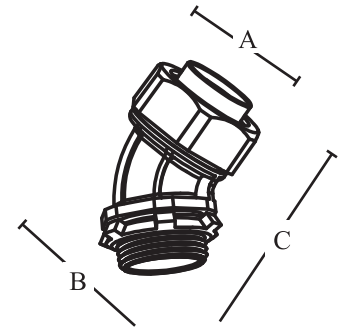
- MALLEABLE IRON
- STEEL LOCKNUT

STANDARD FINISH

- ZINC PLATED

APPLICABLE THIRD PARTY STANDARDS

- UL STANDARD: UL 514B
- FED. SPEC: W-F-406E, W-F-406D
- NEMA: FB 1-2014



PART #	UPC#	CONDUIT SIZE	UNIT CARTON	SHIP CASE	WEIGHT CASE	INCHES		
						A	B	C
M45-38	80031	3/8" - 1/2" KO	10	100	24	1.18	1.39	2.51
M45-50	80033	1/2"	10	100	28	1.36	1.50	2.51
M45-75	80034	3/4"	10	100	42	1.61	1.73	2.70
M45-100	80024	1"	5	50	32	1.89	2.11	3.05
M45-125	80025	1-1/4"	2	20	22	2.39	2.56	3.65
M45-150	80026	1-1/2"	2	20	32	2.62	2.77	4.01
M45-200	80027	2"	2	20	49	3.24	3.38	4.64
M45-250	80028	2-1/2"	---	1	5	3.89	4.68	6.46
M45-300	80029	3"	---	1	7	4.74	5.33	7.01
M45-350	80030	3-1/2"	---	1	10	5.31	5.81	7.33
M45-400	80032	4"	---	1	12	5.82	6.42	8.20

978-587-2859

WWW.AGMFG.NET

1-888-367-8227