

A&G MANUFACTURING CO., INC.

YOUR SOURCE FOR QUALITY, SERVICE AND EFFICIENT BUYING.

PHONE 978-587-2859

WWW.AGMFG.NET

1-888-367-8227

RIGID WATERTIGHT HUBS MALLEABLE IRON



FEATURES

- FLAME-RETARDANT INSULATED THROAT
- MALE HUB THREAD-NPT
- FEMALE THREAD FOR RIGID CONDUIT AND IMC-NPT
- RECESSED O-RING ASSURES WATERTIGHT AND DUST TIGHT CONNECTIONS
- TYPE NHUB WITH INSULATED THROAT AND BONDING LOCKNUT IS SUITABLE FOR SERVICE ENTRANCE APPLICATIONS

APPLICATIONS

- INDOOR OR OUTDOOR USE
- USE TO CONNECT RIGID OR IMC CONDUIT TO A LOAD CENTER OR OTHER METAL ENCLOSURE WHERE A WATERTIGHT JOINT IS REQUIRED AT KNOCKOUTS OR SLIP-FIT HOLES

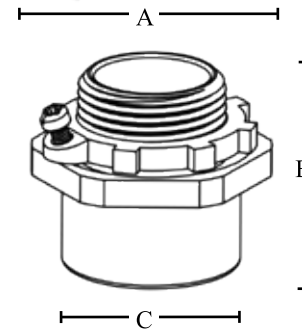


STANDARD MATERIAL

- MALLEABLE IRON

STANDARD FINISH

- ZINC PLATED



PART #	UPC#	SIZE	UNIT CARTON	SHIP CASE	WEIGHT CASE	INCHES		
						A	B	C
CHM-50	99710	1/2"	25	250	58	1.54	1.36	1.09
CHM-75	99711	3/4"	10	250	34	1.77	1.50	1.30
CHM-100	99712	1"	10	100	52	2.15	1.77	1.59
CHM-125	99713	1-1/4"	2	20	17	2.50	1.93	1.94
CHM-150	99714	1-1/2"	2	20	21	3.01	1.97	2.20
CHM-200	99715	2"	---	10	15	3.35	2.05	2.68
CHM-250	99716	2-1/2"	---	5	14	3.92	2.76	3.25
CHM-300	99717	3"	---	5	19	4.74	2.99	3.92
CHM-350	99718	3-1/2"	---	5	24	5.39	3.09	4.46
CHM-400	99719	4"	---	1	8	5.91	3.31	4.82
CHM-500	99720	5"	---	1	8	3.46	7.36	6.10
CHM-600	99721	6"	---	1	11	3.62	8.39	7.25

978-587-2859

WWW.AGMFG.NET

1-888-367-8227